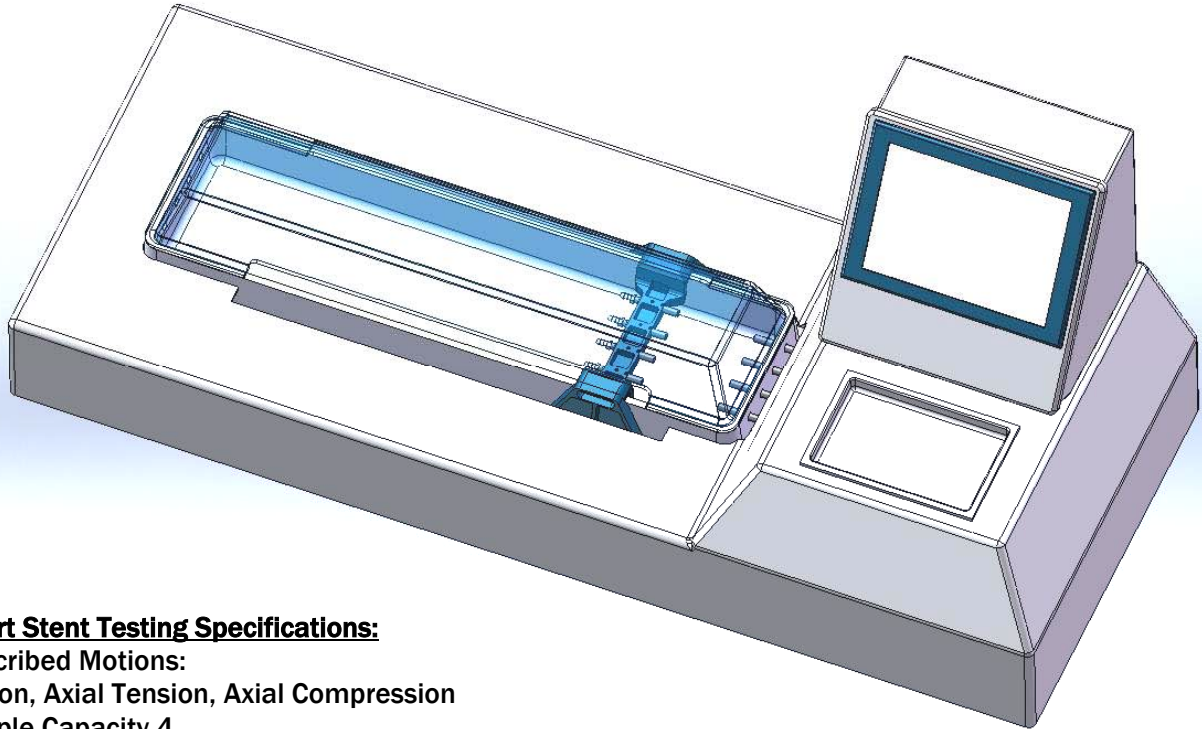


Benchmark Device, Inc. Introduces the:
PAS Stent Fatigue Tester
with **SMART CONTROL**



Smart Stent Testing Specifications:

Prescribed Motions:

Torsion, Axial Tension, Axial Compression

Sample Capacity 4

Test Frequency 0-5* Hz.

Torsion Motion +/-180 degrees

Axial Motion 0-10* cm

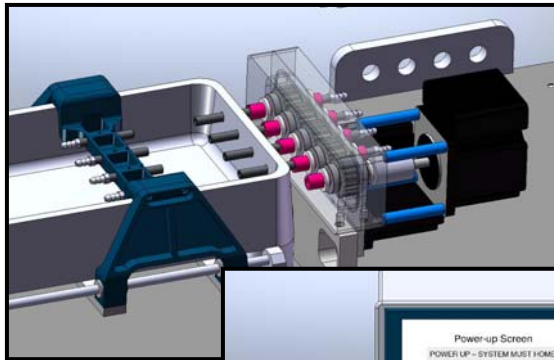
Sample Length 2-25cm

In vitro Capable

Fluid Containment

Smart Control System

- Linear displacement (mm's)
- Linear frequency (CPM)
- Rotary displacement (degrees)
- Rotary frequency (CPM)
- Linear counts
- Rotary counts
- Target counts- Rotary
- Target counts- Linear
- Fluid Loss Indicator
- Mode (rotary motion, linear motion, or both)
- Sample length (info only w/data logging option)
- Sample mounting gap (info only w/data logging option)



Options:

Data Logging

Heated Saline System

Contact Chris Julian @
Benchmark Devices, Inc.
546 Woodland Ridge, Los Gatos, CA 95033
(408) 395-7099