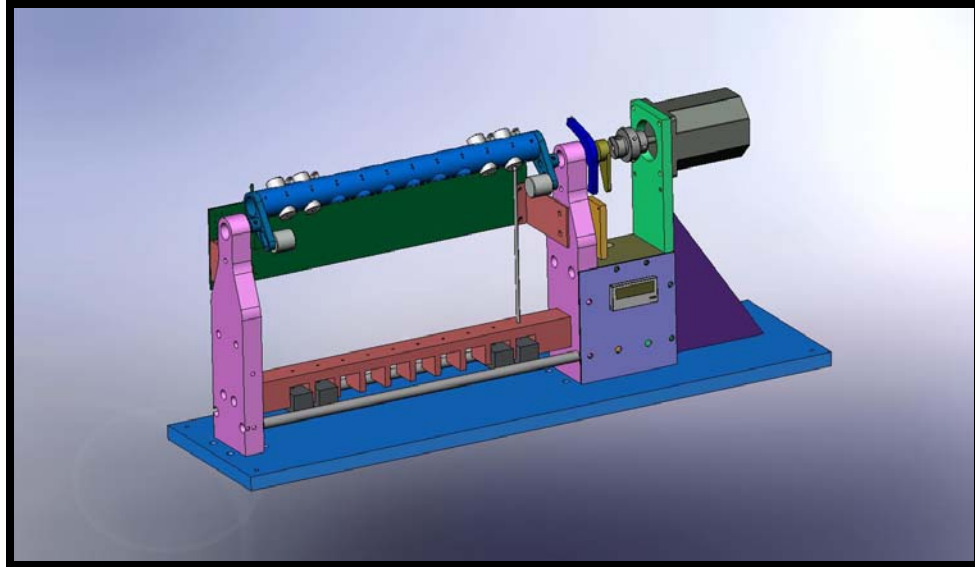


Benchmark Device, Inc. Introduces the:
**CENELEC pacing/defibrillation
fatigue test system**



Tester Specifications:

Prescribed Motions:

Rotary

Sample Capacity 10

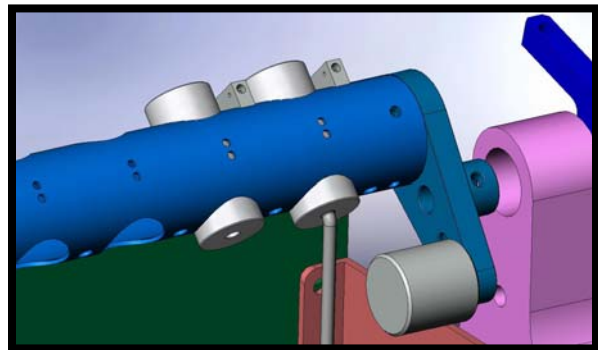
Test Frequency 0-5 Hz.

Rotary Motion +/-90 degrees

Sample Mounting: IS-1, DF-1, custom

Options:

Data Logging



Contact Chris Julian @
Benchmark Devices, Inc.
546 Woodland Ridge, Los Gatos, CA 95033
(408) 395-7099